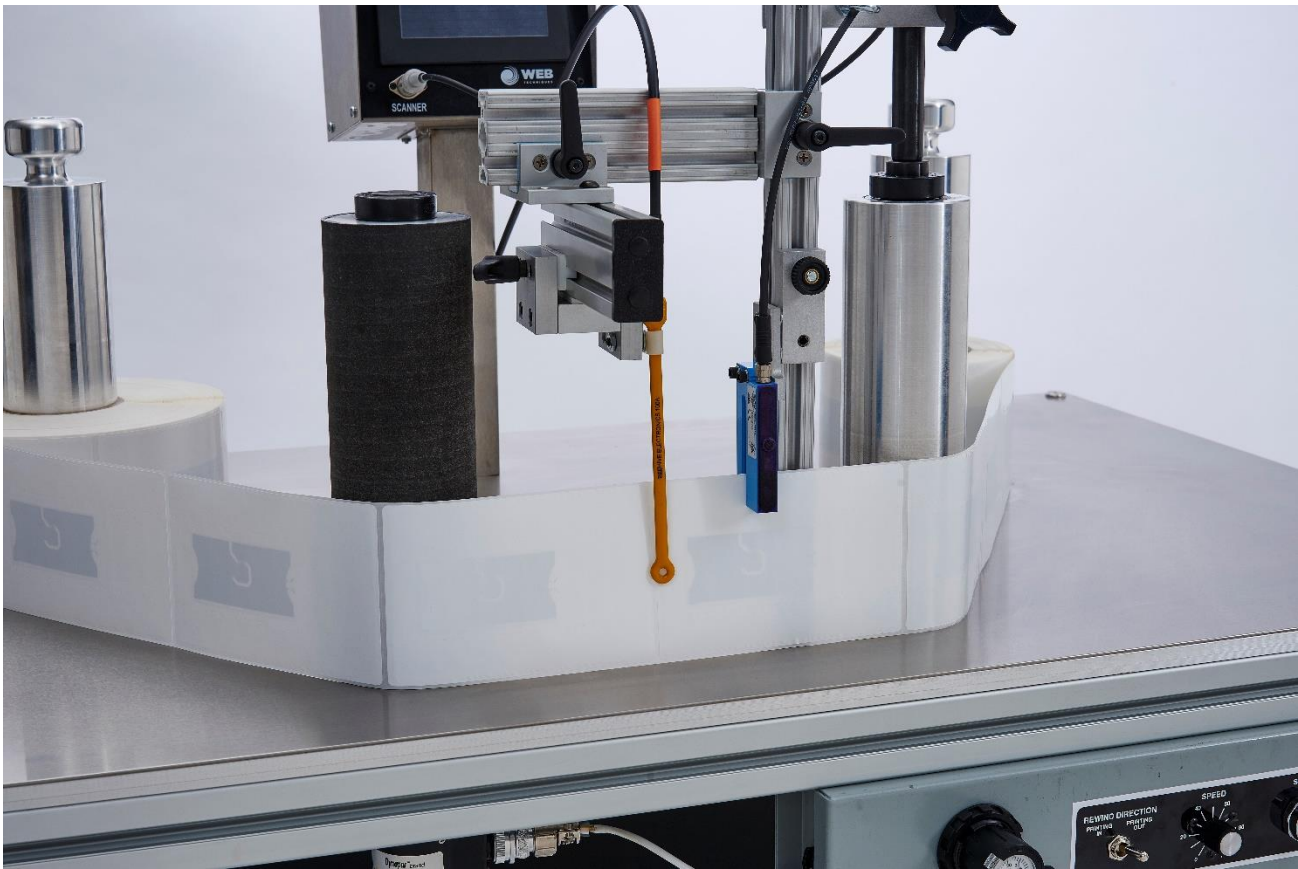


# WT-36 RFID Rewind System



910 BOLGER COURT. FENTON, MO 63026 . USA  
(800) 325-9777 (636) 343-0806 FAX: (636) 343-6629  
[sales@webtechniquesinc.com](mailto:sales@webtechniquesinc.com) | [webtechniquesinc.com](http://webtechniquesinc.com)



## **WT-36 BI-DIRECTIONAL REWIND SYSTEM DESIGNED FOR RFID**

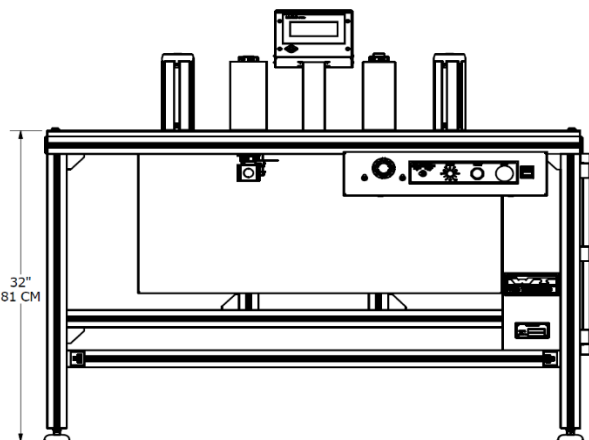
EASILY INTEGRATE YOUR READ/WRITE RFID FUNCTIONAL SYSTEM

SAVE MONEY AND TIME BY QUICKLY AND ACCURATELY COUNTING AND PROGRAMMING YOUR RFID TAGS WITH THE WEB TECHNIQUES WT-36 REWIND SYSTEM, IN ONE STEP.

1. BI-DIRECTIONAL REWINDING SYSTEM, PRODUCE HIGH QUALITY ROLLS IN EITHER DIRECTION
2. FAST, EASY TO USE
3. REQUIRES PRACTICALLY NO SET-UP TIME
4. BUILT IN PHOTOELECTRIC COUNTING SYSTEM TO TRIGGER RFID READ/WRITE UNIT

## FEATURES:

- 1. BI-DIRECTIONAL SYSTEM**  
Automatically positions issues for easy identification and repair  
Allows rolls to be run and counted in either direction and allows rolls to be returned to original copy position in half the time
- 2. INFINITELY VARIABLE MOTOR SPEED CONTROL**  
System will automatically “over speed” the motor, rewinding smaller diameter cores twice as fast as the WT-25 rewind system family
- 3. PEDESTAL MOUNTED HIGH VISIBILITY, BACKLIT TOUCH SCREEN CONTROL**  
Dual Preset: Set one point for deceleration and a second point for final stop  
Counts in both English or Metric Units at the touch of a button
- 4. WIND LABELS IN OR OUT**
- 5. PNEUMATIC FRICTION BRAKE FOR MORE ACCURATE AND REPEATABLE TENSION CONTROL**
- 6. STAINLESS STEEL REWIND SURFACE**
- 7. ALUMINUM EXTRUDED CONSTRUCTION**  
Easily add options in the field utilizing the extruded aluminum frame
- 8. CONSTANT SPEED CONTROL**  
Allows system to automatically maintain desired web speed
- 9. MISSING LABEL DETECTION**
- 10. UNREMOVED MATRIX DETECTION**
- 11. (OPTIONAL) STATIC ELIMINATION SYSTEM (DE-IONIZING SYSTEM)**
- 12. (OPTIONAL) ERGO-LIFT HEIGHT ADJUSTMENT SYSTEM**



## 13. CHOICE OF COREHOLDER STYLES

Lift-Off Cam-Lock (Mechanical)

Lift-Off Air Inflatable (Great choice for quickly switching between coreholder sizes)

Flange Mounted Air Inflatable. Low Tension Coreholder Now Available!

## 14. CHOICE OF COREHOLDER SIZES

Coreholders range in size from coreless to 0.4” through 6” (25mm through 120mm), Please do not hesitate to contact us with any special requests.

## 15. CHOICE OF COUNTING SYSTEMS

Our systems are compatible with almost any counting system available, Please do not hesitate to contact us with any special requests

## 16. (OPTIONAL) BAR CODE VALIDATION SYSTEM

## 17. (OPTIONAL) WEB CLEANING SYSTEM

## 18. (OPTIONAL) MULTI-LANE COUNTING

## 19. (OPTIONAL) DATA LOGGING SYSTEM

## 20. (OPTIONAL) SPLICE DETECTION SYSTEM

## 21. (OPTIONAL) QUADRATURE COUNT OPTION

\*100% Guaranteed Count

## 22. (OPTIONAL) COMPRESSED AIR MODULE

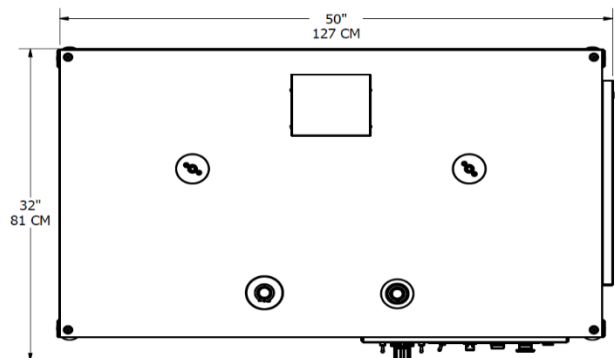
Allows WT-35 system to be operated in locations with no compressed air availability

## 23. (OPTIONAL) RAZOR BLADE SLITTING ATTACHMENT

Requires air coreholder on the rewind for multiple cores

## 24. (OPTIONAL) LED STROBE SYSTEM

Creates a “stand still” effect, allowing visual inspection at high speeds. Energy Efficient!



910 BOLGER COURT. FENTON, MO 63026 . USA  
(800) 325-9777 (636) 343-0806 FAX: (636) 343-6629