

WT-35VS Vision Capable System



910 BOLGER COURT. FENTON, MO 63026 . USA
(800) 325-9777 (636) 343-0806 FAX: (636) 343-6629
sales@webtechniquesinc.com | webtechniquesinc.com



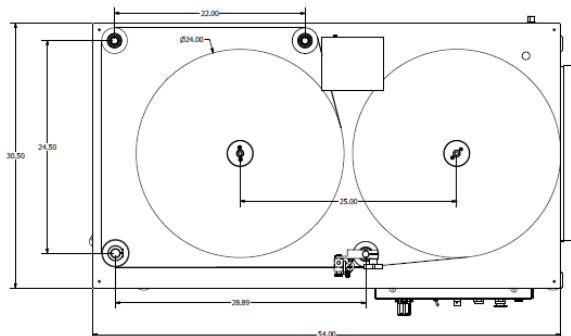
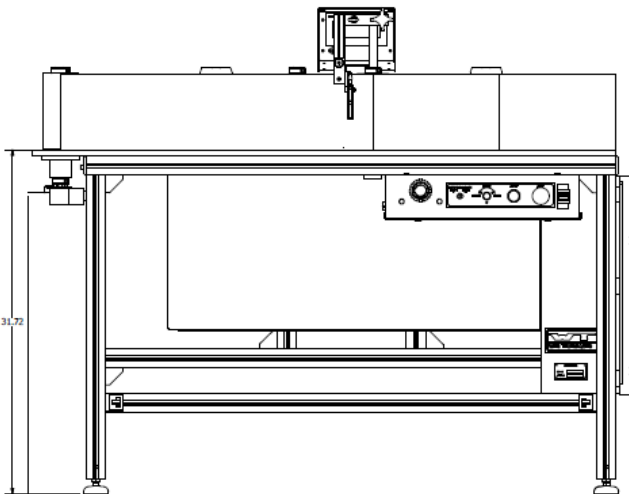
WT-35VS (VISION CAPABLE) BI-DIRECTIONAL REWIND SYSTEM

SAVE MONEY AND TIME BY QUICKLY AND ACCURATELY COUNTING, SERIALIZING, VALIDATING AND REWINDING YOUR LABELS WITH A VISION CAPABLE REWIND SYSTEM.

1. BI-DIRECTIONAL REWINDING SYSTEM, PRODUCE HIGH QUALITY ROLLS IN EITHER DIRECTION
2. FAST, EASY TO USE
3. REQUIRES PRACTICALLY NO SET-UP TIME
4. QUICKLY REWINDS LARGE MASTER ROLLS INTO ROLLS OF PREDETERMINED COUNT OR LENGTH
5. VISION CAPABLE WITH CAPABILITIES OF INTEGRATING ALMOST ANY VISION SYSTEM SOLUTION

FEATURES:

1. **BI-DIRECTIONAL SYSTEM**
Automatically positions issues for easy identification and repair
Allows rolls to be run and counted in either direction and allows rolls to be returned to original copy position in half the time
2. **PEDESTAL MOUNTED HIGH VISIBILITY, BACKLIT TOUCH SCREEN CONTROL**
Dual Preset: Set one point for deceleration and a second point for final stop. Counts in both English or Metric Units at the touch of a button
3. **PNEUMATIC FRICTION BRAKE FOR MORE ACCURATE AND REPEATABLE TENSION CONTROL**
4. **STAINLESS STEEL REWIND SURFACE**
5. **ALUMINUM EXTRUDED CONSTRUCTION**
Easily add options in the field utilizing the extruded aluminum frame
6. **CONSTANT SPEED CONTROL**
Allows system to automatically maintain desired web speed
7. **MISSING LABEL DETECTION**
8. **UNREMOVED MATRIX DETECTION**



10. **CHOICE OF COREHOLDER SIZES**
11. (OPTIONAL) **WEB CLEANING SYSTEM**
12. (OPTIONAL) **COMPRESSED AIR MODULE**
Allows WT-35 system to be operated in locations with no compressed air availability
13. (OPTIONAL) **QUADRATURE COUNT OPTION**
100% GUARANTEED COUNT
14. (OPTIONAL) **DATA LOGGING SYSTEM**
15. (OPTIONAL) **LED STROBE SYSTEM**
Creates a “stand still” effect, allowing visual inspection at high speeds. Energy Efficient!
16. (OPTIONAL) **ERGO-LIFT HEIGHT ADJUSTMENT SYSTEM**
17. (OPTIONAL) **BAR CODE VALIDATION SYSTEM**
18. (OPTIONAL) **MULTI-LANE COUNTING OPTION**

WT-35VS System Specifications:

Web Width (MAX): 13"
Unwind Roll (MAX): 24"
Rewind Roll (MAX): 24"
Roll Weight (MAX): 250+ lbs.
Rewind Speed (MAX): 1,200 ft/min
Tension Brake: Pneumatic Brake
AC Motor: 1HP
Rewind Torque (MAX): 250+ in lbs.
Decel & Stop: Standard/Included
Winding: CW & CCW (Bi-Directional)
Rewind Stop Type: Pneumatic Brake
Count Methods: Length & Label
Electrical: 120VAC Standard/ 220VAC Optional

