

# WT-30 Rewind System



910 BOLGER COURT. FENTON, MO 63026 . USA  
(800) 325-9777 (636) 343-0806 FAX: (636) 343-6629  
sales@webtechniquesinc.com | [webtechniquesinc.com](http://webtechniquesinc.com)



**WT-30 Pictured (All systems come standard with an aluminum top)**

**SOLVE YOUR LABEL INVENTORY ISSUES WITH A WEB TECHNIQUES REWIND SYSTEM  
SAVE MONEY AND TIME BY QUICKLY AND ACCURATELY COUNTING AND REWINDING  
YOUR LABELS WITH A WEB TECHNIQUES REWIND SYSTEM.**

- 1. FAST, EASY TO USE**
- 2. REQUIRES PRACTICALLY NO SET-UP TIME**
- 3. QUICKLY REWINDS LARGE MASTER ROLLS INTO ROLLS OF PREDETERMINED COUNT OR LENGTH**
- 4. BUILT IN PHOTOELECTRIC COUNTING SYSTEM**

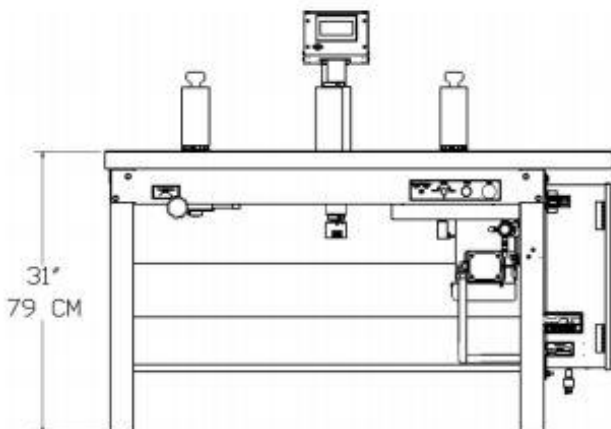
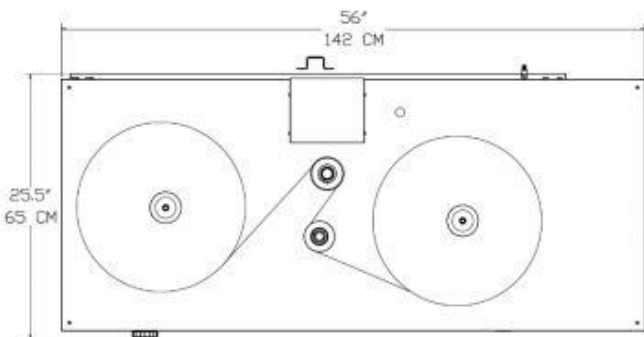
**FEATURES:**

1. **INFINITELY VARIABLE MOTOR SPEED CONTROL**  
System will automatically “over speed” the motor, rewinding smaller diameter cores twice as fast as the WT-25 rewind system family
2. **PEDESTAL MOUNTED HIGH VISIBILITY, BACKLIT TOUCH SCREEN CONTROL**  
Dual Preset: Set one point for deceleration and a second point for final stop  
Counts in both English or Metric Units at the touch of a button
3. **WIND LABELS IN OR OUT**
4. **STAINLESS STEEL REWIND SURFACE**
5. **CONSTANT SPEED CONTROL**  
Allows system to automatically maintain desired web speed
6. **CHOICE OF COREHOLDER STYLES**  
Lift-Off Cam-Lock (Mechanical)  
Lift-Off Air Inflatable (Great choice for quickly switching between coreholder sizes)  
Flange Mounted Air Inflatable
7. **CHOICE OF COREHOLDER SIZES**  
Coreholders range in size from coreless to 0.4” through 6” (25mm through 120mm), Please do not hesitate to contact us with any special requests

10. **CHOICE OF COUNTING SYSTEMS**  
Our systems are compatible with almost any counting system available, Please do not hesitate to contact us with any special requests
11. (OPTIONAL) **SPLICE DETECTION SYSTEM**
12. (OPTIONAL) **COMPRESSED AIR MODULE**
13. (OPTIONAL) **SURGE PROTECTION/BATTERY BACK-UP**  
Protects system from power issues
14. (OPTIONAL) **RAZOR BLADE SLITTING ATTACHMENT**  
Requires air coreholder on the rewind for multiple cores
15. (OPTIONAL) **ERGO-LIFT HEIGHT ADJUSTMENT SYSTEM**
16. (OPTIONAL) **STATIC ELIMINATION SYSTEM (DE-IONIZING SYSTEM)**
17. (OPTIONAL) **HOODED ENCLOSURE**
18. (OPTIONAL) **TAPE DISPENSER (DOES NOT COME STANDARD WITH THE REWIND SYSTEM)**
19. (OPTIONAL) **SPLICING AID**
20. (OPTIONAL) **AIR BREAK UPGRADE KIT**

**WT-30 System Specifications:**

Web Width (MAX): 13”
Unwind Roll (MAX): 24”
Rewind Roll (MAX): 24”
Roll Weight (MAX): 250+ lbs.
Rewind Speed (MAX): 1,200 ft/min
Tension Brake: Standard/Pneumatic Brake is Optional
AC Motor: 1HP
Rewind Torque (MAX): 250+ in lbs.
Decel & Stop: Standard/Included
Winding: CW & CCW
Rewind Stop Type: Deceleration/Friction
Count Methods: Length & Label
Electrical: 120VAC Standard/ 220VAC Optional



910 BOLGER COURT. FENTON, MO 63026 . USA  
(800) 325-9777 (636) 343-0806 FAX: (636) 343-6629